

Charlton®



ELECTRIC ASHCAN

MODEL NO: ASHVAC1200

PART NO: 6471133

OPERATING & MAINTENANCE INSTRUCTIONS



ORIGINAL INSTRUCTIONS

GC0721 - ISS 6

INTRODUCTION

Thank you for purchasing this CLARKE product which is designed for fast, easy removal of cold ash from stoves and fireplaces.

Before attempting to use this product, please read this manual thoroughly and follow the instructions carefully. In doing so you will ensure the safety of yourself and that of others around you, and you can look forward to your purchase giving you long and satisfactory service.

GUARANTEE

This product is guaranteed against faulty manufacture for a period of 12 months from the date of purchase. Please keep your receipt which will be required as proof of purchase.

This guarantee is invalid if the product is found to have been abused or tampered with in any way, or not used for the purpose for which it was intended.

Faulty goods should be returned to their place of purchase, no product can be returned to us without prior permission.

This guarantee does not effect your statutory rights.

ENVIRONMENTAL RECYCLING POLICY



Through purchase of this product, the customer is taking on the obligation to deal with the WEEE in accordance with the WEEE regulations in relation to the treatment, recycling & recovery and environmentally sound disposal of the WEEE.

In effect, this means that this product must not be disposed of with general household waste. It must be disposed of according to the laws governing Waste Electrical and Electronic Equipment (WEEE) at a recognised disposal facility.

PARTS & SERVICE

This product has been designed to give long and trouble free service. If, however, having followed the instructions in this booklet carefully, you encounter problems, refer to your local Clarke dealer.

SPECIFICATIONS

Model Number	ASHVAC1200
Dimensions (L x W x H)	315 x 322 x 378 mm
Weight	4.7 kg (empty)
Drum Capacity	18 Litres (12L working)
Operating Temperature	-10 to +40°C
Max Vacuum	20 kPa
Duty Cycle	S1 (continuous)
Fuse Rating	13A
Power Supply	230V @50Hz 1ph
Motor power rating	1200W
IP Rating	IPX-0
Sound Pressure Level	80 dB LpA
Sound Power Level	84 dB LwA

Please note that the details and specifications contained herein are correct at the time of going to print. However CLARKE International reserve the right to change specifications at any time without prior notice.

GENERAL SAFETY PRECAUTIONS

Prior to use, all users should become familiar with these instructions.

WORK AREA

1. Avoid operating in the presence of flammable liquids or gases. The motor may produce sparks during operation. Do not use in enclosed areas where flammable, explosive or toxic vapours are given off.

PERSONAL SAFETY

1. Always stay alert, watch what you are doing and use common sense when operating this product. Do not use the ashcan while you are tired or under

the influence of medication, drugs or alcohol. Lack of attention can result in personal injury.

2. Never over-reach. Keep your proper footing and balance at all times to enable better control of the ashcan in unexpected situations.
3. This product must not be used by children.



Wear a dust mask when disturbing fine dust particles.



Wear eye protection when blowing fine dust particles.

GENERAL PRODUCT USE AND CARE



WARNING: DO NOT USE THIS ASH CAN TO COLLECT HOT ASHES, COALS OR WOOD EMBERS. ALWAYS ALLOW THE RESIDUE FROM STOVES AND FIREPLACES TO COOL FULLY BEFORE COLLECTING WITH THIS ASH CAN.

1. Always maintain this product with care and keep it clean for best/safest performance.
2. Never use this product if any part is damaged. Have it inspected and repaired by your Clarke dealer. Do not use if the power cable, plug, or the machine itself, is in poor condition.
3. Never abuse the power cable. Never pull on the cable when removing the plug from the socket or lift the ashcan by the power cable. Take care not to close doors on the cable or allow it to become snagged under furniture/objects with sharp edges. Keep away from heat or oil.
4. Only use extension leads that are of an appropriate power rating and suitable for the work environment. Extension leads must have an earth connection. Inspect the extension lead regularly and replace if damaged.
5. Always take care when a long hose is required in the work area as it presents a trip hazard. Tidy the hose away when the job is finished.
6. Never pick up flammable or readily combustible material or use in the presence of explosive liquids or vapours.
7. Never pick up burning cigarettes or other smoking substances.
8. Never abuse this product by standing on it.
9. Always carry this product using the handle.
10. Only use the suction hose provided. A normal plastic vacuum cleaner hose is not suitable and may be damaged.

ELECTRICAL CONNECTIONS



WARNING: READ THESE ELECTRICAL SAFETY INSTRUCTIONS THOROUGHLY BEFORE CONNECTING THE PRODUCT TO THE MAINS SUPPLY.

Before switching the product on, make sure that the voltage of your electricity supply is the same as that indicated on the rating plate. This product is designed to operate on 230VAC 50Hz. Connecting it to any other power source may cause damage.

This product may be fitted with a non-rewireable plug. If it is necessary to change the fuse in the plug, the fuse cover must be refitted. If the fuse cover becomes lost or damaged, the plug must not be used until a suitable replacement is obtained.

If the plug has to be changed because it is not suitable for your socket, or due to damage, it should be cut off and a replacement fitted, following the wiring instructions shown below. The old plug must be disposed of safely, as insertion into a mains socket could cause an electrical hazard.

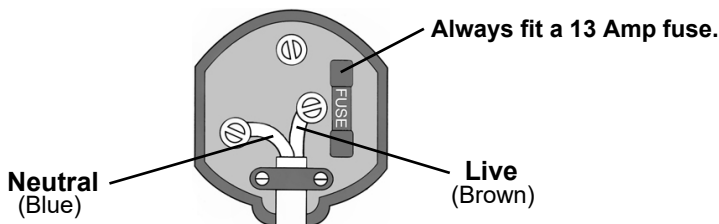


**WARNING: THE WIRES IN THE POWER CABLE OF THIS PRODUCT ARE COLOURED IN ACCORDANCE WITH THE FOLLOWING CODE:
BLUE = NEUTRAL BROWN = LIVE**

If the colours of the wires in the power cable of this product do not correspond with the markings on the terminals of your plug, proceed as follows.

- The wire which is coloured **Blue** must be connected to the terminal which is marked **N** or coloured **black**.
- The wire which is coloured **Brown** must be connected to the terminal which is marked **L**, or coloured red

Plug must be BS1363/A approved.



Ensure that the outer sheath of the cable is firmly held by the clamp

We strongly recommend that this machine is connected to the mains supply via a Residual Current Device (RCD)

If in any doubt, consult a qualified electrician. DO NOT attempt any repairs yourself.



This symbol indicates that this is a Class II product, and does not require an earth connection.

COMPONENTS



When unpacking please check contents and advise your dealer immediately if any parts are missing. The essential components are as follows.

NO	DESCRIPTION
1	Tank
2	Motor/Lid Assembly
3	Suction Hose Assembly
4	Suction Tube

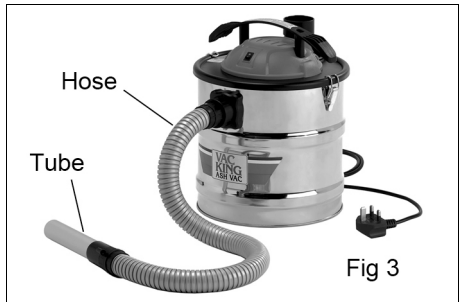
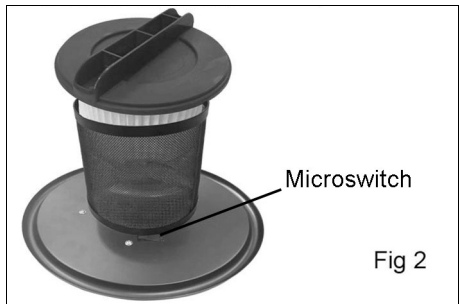
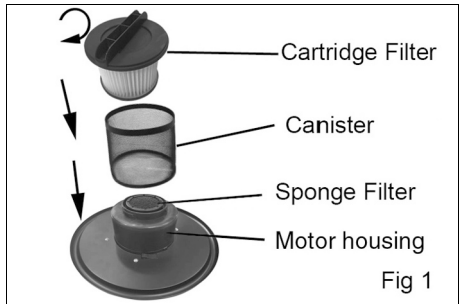
NO	DESCRIPTION
5	Suction Tube with Crevice end
6	Cartridge Filter
7	Filter Canister
8	Air Outlet Adaptor

PREPARATION FOR USE

1. With the ashcan removed from the packaging, undo the securing clips securing the lid assembly and remove the components from within the tank. Check for shortages and that no damage was suffered in transit.
2. Check that the sponge filter is correctly in position at the end of the motor housing.
3. Place the canister over the motor housing.
4. Place the cartridge filter inside the canister and twist on the cartridge filter cap to secure the canister and cartridge filter.
 - The motor will not run without the canister correctly in position as a microswitch needs to be engaged.
5. Fit the tank cover to the tank, securing in place with the clips.
6. Insert the suction tube into one end of the suction hose as shown in fig 3.
7. Insert the other end of the suction hose into the inlet connection of the tank.

NOTE: The two ends of the suction hose are different. The end with the collar and swivel fits into the tank.

8. Before plugging into the power supply, the ashcan should be positioned on a firm, level surface. Do not cover the ashcan and always position it with good all-round air ventilation. The ashcan must always remain upright.



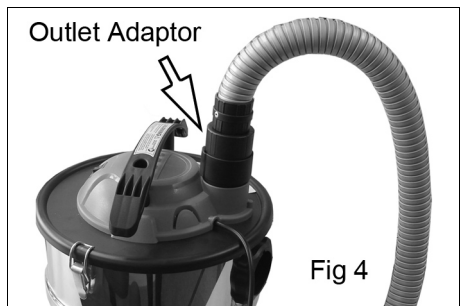
OPERATING INSTRUCTIONS



CAUTION: MAKE SURE THAT FIREPLACES AND STOVES ARE COLD BEFORE YOU ATTEMPT TO VACUUM THEM CLEAN. WAIT UNTIL THE ASH HAS COOLED DOWN COMPLETELY BEFORE YOU BEGIN TO COLLECT IT.

CAUTION: EXCESSIVE TEMPERATURES CAN LEAD TO DAMAGE TO THE SUCTION HOSE AND THE ASH CAN AND CAUSE A RISK OF FIRE.

1. Take care not to collect material which appears to have cooled down on the outside but which may still be hot on the inside. Hot ash particles may ignite again in the air flow.
 - Ash with a temperature exceeding 40°C may damage the ashcan.
2. Switch on the ashcan and use the suction tube to collect the ash.
3. When moving the ashcan:
 - Always use the handle.
 - Do not lift it by (or place a strain on) the hose or power cable.
 - Always switch it off and disconnect it from the mains power supply.
4. Do not attempt to quickly extinguish fires in fireplaces or stoves with water in order to achieve cool ash. The construction material in the fireplace or stove may not withstand any sudden change in temperature and suffer permanent damage.
5. Regularly check the tube and ashcan for excess temperature during use. If you notice a significant temperature rise, switch off immediately. Let the ashcan cool down before emptying the collected material.
6. Always empty the ashcan after use and clean it when required. Never use solvents for cleaning any components.
7. If required, the ashcan may be used to blow a jet of exhaust air to clear obstructions within the pipe. Make sure the ashcan is emptied before blowing.
8. The user should empty the ashcan at regular intervals to prevent it from overheating.
9. Fit the outlet adaptor as shown in Fig 4 and connect the suction hose to it. Twist the outlet adaptor clockwise to lock it in position.
10. If, after a few seconds the hose is still blocked, turn the unit off and clear any blockages manually.



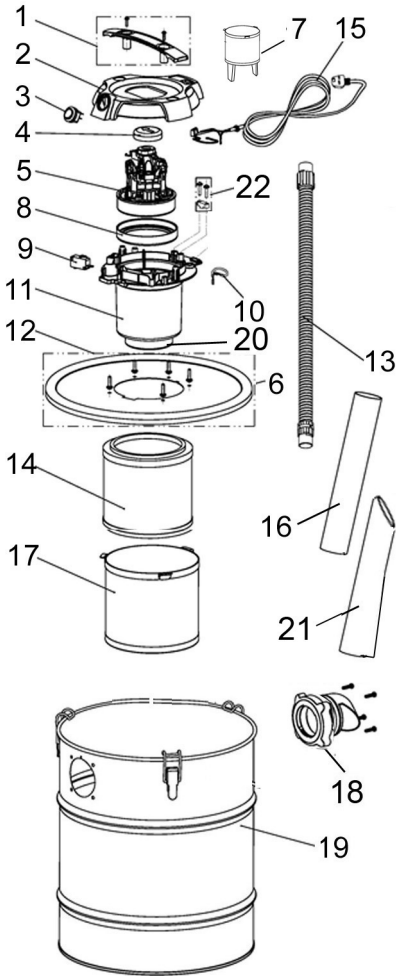
MAINTENANCE

1. Inspect the cartridge filter regularly and clean it when necessary. Remove the lid assembly and twist the canister off to access the filter.
2. Dislodge as much imbedded debris as possible before washing the filter with tap water before drying it completely.
3. Reposition the filter and its canister, ensuring this is in place by engaging the three retaining tabs into the fixings on the lid assembly and twisting the canister clockwise. **Important: cleaning should not use chemicals or compressed air.**
4. Always ensure that the sponge filter covering the motor fan is in good condition and not blocked. Lift it away and wash it in water if required and allow it to dry completely before use.
5. Ensure the hose is kept in good condition. A damaged hose will seriously effect the efficiency of the ashcan and should be replaced.
6. Contact your CLARKE dealer for replacements.

CARE & STORAGE

1. When not in use, turn off using the switch on top of the ashcan, then unplug from the power supply.
2. When finished work, ensure the electric cable is stowed away by winding it around the handle and that it is not left as a hazard for others to trip over.
3. Do not change filters or carry out any cleaning without first disconnecting the ashcan from the power supply.
4. Keep the external surfaces clean. Avoid impact damage & do not allow this product to come into contact with abrasive or corrosive materials.
5. Do not use solvents, thinners or alcohol to clean the ashcan, as these chemicals will damage the finish. With the ashcan unplugged from the power supply, use a dry cloth to wipe over the casing.
6. When not in use this product should be stored in a secure, dry place, out of the reach of children. DO NOT leave it exposed to the elements and avoid direct sunlight, direct heat, rain/moisture etc.
7. Only use parts and accessories recommended in this manual. Never use unauthorised accessories or attachments which may result in personal injury or damage to the product.
8. Do not attempt to repair or modify this product or attempt any electrical repair yourself. Consult a qualified electrician or the Clarke Service Department on 020 8988 7400.

PARTS DIAGRAM



Ref No	Description
1	Carrying Handle
2	Top Cover Moulding
3	On/Off Switch
4	Sealing Cap
5	Motor
6	Lid Sealing Ring
7	Air Outlet Adaptor
8	Rubber Seal
9	Filter Proximity Microswitch
10	Inner Wiring
11	Motor Housing
12	Top Cover Assembly
13	Suction Hose
14	Cartridge Filter
15	Power Cable & Plug
16	Straight Suction Tube
17	Filter Canister
18	Connecting Elbow
19	Ash Tank
20	Sponge Filter
21	Crevice Suction Tube
22	Cable Clamp

DECLARATION OF CONFORMITY



Fitzwilliam Hall, Fitzwilliam Place, Dublin 2

DECLARATION OF CONFORMITY

This is an important document and should be retained.

We hereby declare that this product(s) complies with the following directive(s):

- 2014/30/EU Electromagnetic Compatibility Directive
- 2014/35/EU Low Voltage Equipment Directive
- 2017/68/EU Restriction of Hazardous Substances (amended by (EU) 2017/683)

The following standards have been applied to the product(s):

- EN 55014-1:2017, EN 55014-2:2015, EN 61000-3-2:2013, EN 62233:2008
- EN 60335-2-2:2010+A11:2013, EN 60335-1:2015+A13:2017, EN 60335-1:2012+A11:2014
- EN 62321-1:2013, EN 6232-2:2014, EN 62321-3-1:2014, EN 62321-4:2014/A1:2017, EN 62321-5:2014
- EN 62321-6:2015, EN 62321-7-1:2015, EN 62321-7-2:2017, EN 62321-8:2017.

The technical documentation to demonstrate that the product(s) meet(s) the requirement(s) of the aforementioned directive(s) has been compiled and is available for inspection by the relevant enforcement authorities.

The CE mark was first applied in: 2016

Product Description: 1200W Ash Vacuum Cleaner
Model number(s): ASHVAC1200
Serial / batch Number: N/A
Date of issue: 19/07/2021

Signed:

J.A. Clarke
Director

ASHVAC1200 CE Clarke DDC 071921

Page 1 of 1



Hemmill Street, Epping, Essex CM16 4UG

DECLARATION OF CONFORMITY

This is an important document and should be retained.

We hereby declare that this product(s) complies with the following statutory requirement(s):

- Electromagnetic Compatibility Regulations 2016
- Electrical Equipment (Safety) Regulations 2016
- The Restriction of the Use of Certain Hazardous Substances in Electrical and Electronic Equipment Regulations 2012

The following standards have been applied to the product(s):

- EN 55014-1:2017, EN 55014-2:2015, EN 61000-3-2:2013, EN 62233:2008
- EN 60335-2-2:2010+A11:2013, EN 60335-1:2015+A13:2017, EN 60335-1:2012+A11:2014
- EN 62321-1:2013, EN 6232-2:2014, EN 62321-3-1:2014, EN 62321-4:2014/A1:2017, EN 62321-5:2014
- EN 62321-6:2015, EN 62321-7-1:2015, EN 62321-7-2:2017, EN 62321-8:2017.

The technical documentation required to demonstrate that the product(s) meet(s) the requirement(s) of the aforementioned legislation has been compiled and is available for inspection by the relevant enforcement authorities.

The UKCA mark was first applied in: 2021

Product Description: 1200W Ash Vacuum Cleaner
Model number(s): ASHVAC1200
Serial / batch Number: N/A
Date of issue: 19/07/2021

Signed:

J.A. Clarke
Director

ASHVAC1200 UKCA Clarke DDC 071921

Page 1 of 1

A SELECTION FROM THE VAST RANGE OF

Clarke®

QUALITY PRODUCTS



AIR COMPRESSORS

From DIY to industrial, Plus air tools, spray guns and accessories.

GENERATORS

Prime duty or emergency standby for business, home and leisure.

POWER WASHERS

Hot and cold, electric and engine driven - we have what you need

WELDERS

Mig, Arc, Tig and Spot. From DIY to auto/industrial.

METALWORKING

Drills, grinders and saws for DIY and professional use.

WOODWORKING

Saws, sanders, lathes, mortisers and dust extraction.

HYDRAULICS

Cranes, body repair kits, transmission jacks for all types of workshop use.

WATER PUMPS

Submersible, electric and engine driven for DIY, agriculture and industry.

POWER TOOLS

Angle grinders, cordless drill sets, saws and sanders.

STARTERS/CHARGERS

All sizes for car and commercial use.



PARTS & SERVICE: 0208 988 7400

Parts Enquiries
Parts@clarkeinternational.com

Servicing & Technical Enquiries
Service@clarkeinternational.com

SALES: UK 01992 565333 or Export 00 44 (0)1992 565335

Clarke INTERNATIONAL Hemnall Street, Epping, Essex CM16 4LG
www.clarkeinternational.com